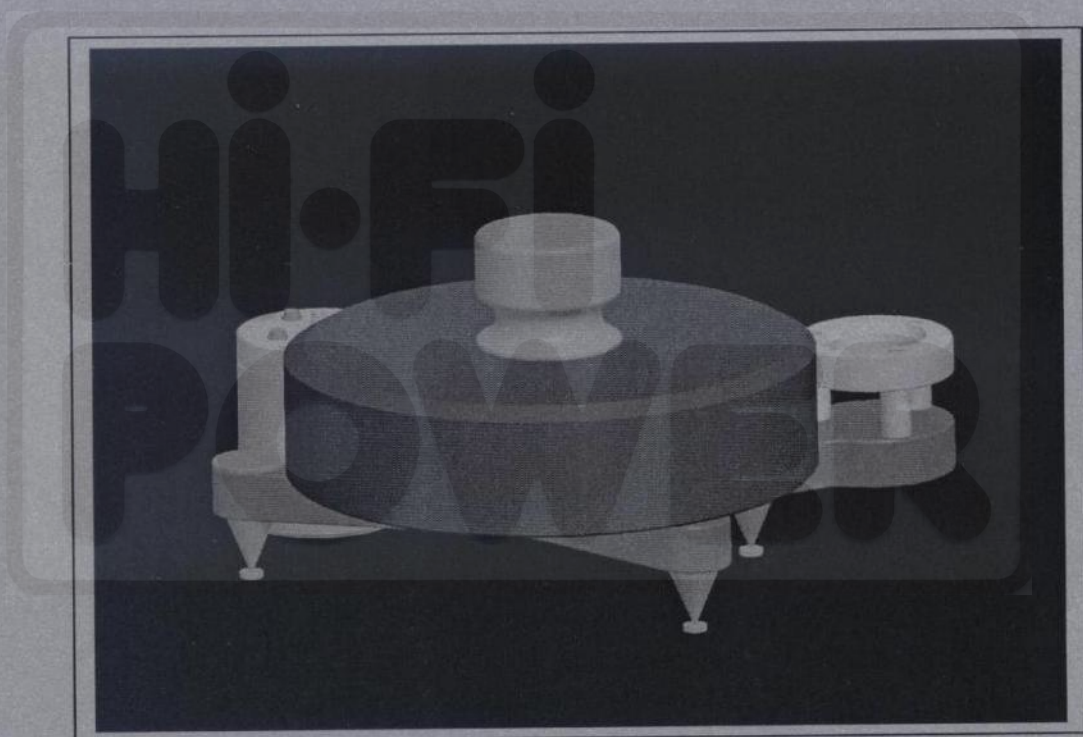


# *Thesis Audio*

## *Himalia*



**OWNER'S MANUAL**

**NECESSARY PRECAUTIONS FOR SAFETY AND  
MAINTENANCE**

To Sound lovers,

We are delighted that you have chosen a Thesis Audio product.

We are sure that you will be most satisfied with your choice and will enjoy many pleasurable hours listening to the music.

Thesis Audio designs and manufactures its equipment with much care to offer you the certainty to have a product with a high technical value and pleasing appearance, and that has exceptional performance features.

The product you have purchased is to be considered a “Highly Accurate Precision Instrument for the Playing of Vinyl Disks”, and therefore, to be able to provide in safety the high performance it can offer, some precautions are to be taken to use its high potential to the best advantage.

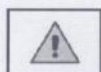
Please read this handbook very carefully from cover to cover, and keep it in a safe place for future consultation.

If you should lose the handbook, contact your Dealership, or write to the e-mail address [info@thesisaudio.it](mailto:info@thesisaudio.it), to receive another copy free of charge, or to clear any doubts you may have regarding the use of Thesis Audio products.

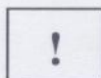
#### CONTENTS:

- |    |                           |         |
|----|---------------------------|---------|
| 1. | Safety standards          | page 2  |
| 2. | Packaging contents        | page 5  |
| 3. | Assembly and Adjustment   | page 7  |
| 4. | Cleaning and Preservation | page 13 |
| 5. | Troubleshooting           | page 14 |
| 6. | Technical data            | page 15 |

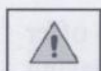
**IMPORTANT NOTICE:** See the meaning of the following symbols:



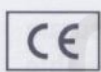
**Risk of damage to people, objects or the actual equipment.**



**Risk of damage to the actual equipment or objects.**



### **1. SAFETY STANDARDS**



This product has been designed and manufactured in compliance with EU Directives 73/23/EEC and 89/336/EEC, as well as 2005/05 EC (Rohs).

**To use the equipment in safety it is COMPULSORY to abide by the standards indicated herein, so as to avoid any type of damage to persons, objects or the actual equipment.**

**Ignoring these standards, besides being a serious hazard for the safety of the user and others, excludes Thesis Audio from any responsibility, and immediately invalidates the guarantee.**

**Before starting to use, or starting any other type of operation, it is important to read and understand this handbook.**

- a) The equipment operates with a line voltage and frequency of 100-240VAC/50-60Hz, as indicated on the plate on the Power Supply.

Before connecting to the electrical network, make sure that this corresponds to the data of the equipment.

Furthermore, this connection is only to be made after all operations regarding assembly, calibration and set-up have been completed, and in any case, not before having read the instructions contained in the handbook.

Do not use external extensions to supply the equipment.

- b) The Power Supply is to be disconnected from the mains when periodically checking the correct system setting, or when making any type of checks, controls or cleaning on the equipment or its components.

Furthermore, the Power Supply is to be disconnected if the equipment is not used for long periods, during thunder storms or if the user remains away from the house for a long period.

The Power Supply connector is to be connected to the Motor Unit socket before connecting it to the mains.

- c) No types of modification are permitted, especially concerning the electrical section.  
Any type of intervention, whether mechanical or electrical is only to be carried out by Thesis Audio.
- d) Do not modify or replace the Power Supply and its Cable or Connector in any way.

For any type of damage to the Power Supply or its Cable, it must be immediately disconnected from the electrical line socket and be sent for overhaul by Thesis Audio.

- e) The equipment has been designed for use in the home, and therefore any other type of use is prohibited, such as in external environments or that are very damp, or near water sources or containers with liquids of any type.

Clean only with the cloth and brush provided with the product, and do not use detergents or solvents.

Accidental contact of the Motor Unit or the Power Supply and its Cable with any type of liquid requires the parts to be overhauled by Thesis Audio.

The Motor Unit is a single block that cannot be disassembled or inspected by the user. Do not carry out any type of operation on it, unless specifically indicated in this handbook .


- f) The equipment is to be installed away from heat sources (radiators, stoves, hot air sources generally, direct sunlight, etc.).
- g) Place the equipment in its permanent location, on a firm strong surface, (designed to sustain weights of **at least 110 lbs/50 kg**), and make sure that the Power Supply Cable do not interfere with the passing of persons, children or domestic pets.  
Make sure that nothing rests on the Power Supply Cable and that it does not interfere with other wiring of the system.
- h) Since the product components are heavy, to avoid hazards for persons, damage to objects or to the equipment itself, be very careful when

carrying out operations a) to start up during the first assembly; b) repackaging if not in use or for shipment; c) transfer from its usual location.

i) If it should be necessary to transport the equipment (e.g. moving house, despatch to service centre, change of ownership, etc), it has to be dismantled and repacked in the original packaging.  
To avoid serious damage, never transport the equipment with the turntable mounted on the spindle, and the tone arm (not supplied) mounted in its housing

j) This handbook and the complete packaging must always accompany the product and its accessories throughout its entire life, even if the equipment changes owner.  
If it should be necessary to dispose of the equipment, read the paragraph "DISPOSAL INSTRUCTIONS".

k) In the case of doubts of any kind regarding the contents and explanations in this handbook, contact your Dealership or Thesis Audio.



**DISPOSAL INSTRUCTIONS:**

For the final disposal of this product, contact the qualified persons in the collection points for RAEE disposal, or Thesis Audio.

a) The packaging consists mainly of cardboard and a small part in nylon or non biodegradable materials.  
Separate the parts and dispose of them according to the type of material;

b) Do not dispose of the equipment as solid urban garbage.

## 2. PACKAGING CONTENTS

The packaging is to contain the following parts that make up the record player:

(the letters refer to fig. 1)

- a) 1 **Base** in anti-resonant stone (with 3 conical feet, two of which are adjustable);
- b) 1 **Turntable** in composite material (with bushing and carbide thrust bearing pad);
- c) 1 **Motor Unit**;
- d) 1 **Clamp** in aluminium alloy;
- e) 3 **Under-spindle plates**;
- f) 1 **Driving Belt** (+2 spares);
- g) 1 **Power Supply**;

The packing is also to contain the following accessories:

- h) 1 accessory container;
- i) 1 oiling device containing lubricant for the spindle;
- j) 1 level;
- k) 1 4 mm Allen wrench;
- l) 1 template (Motor Unit position);
- m) 1 pair of fabric gloves;
- n) 1 micro-fibre cloth for cleaning;
- o) 1 brush for cleaning;
- p) this handbook.

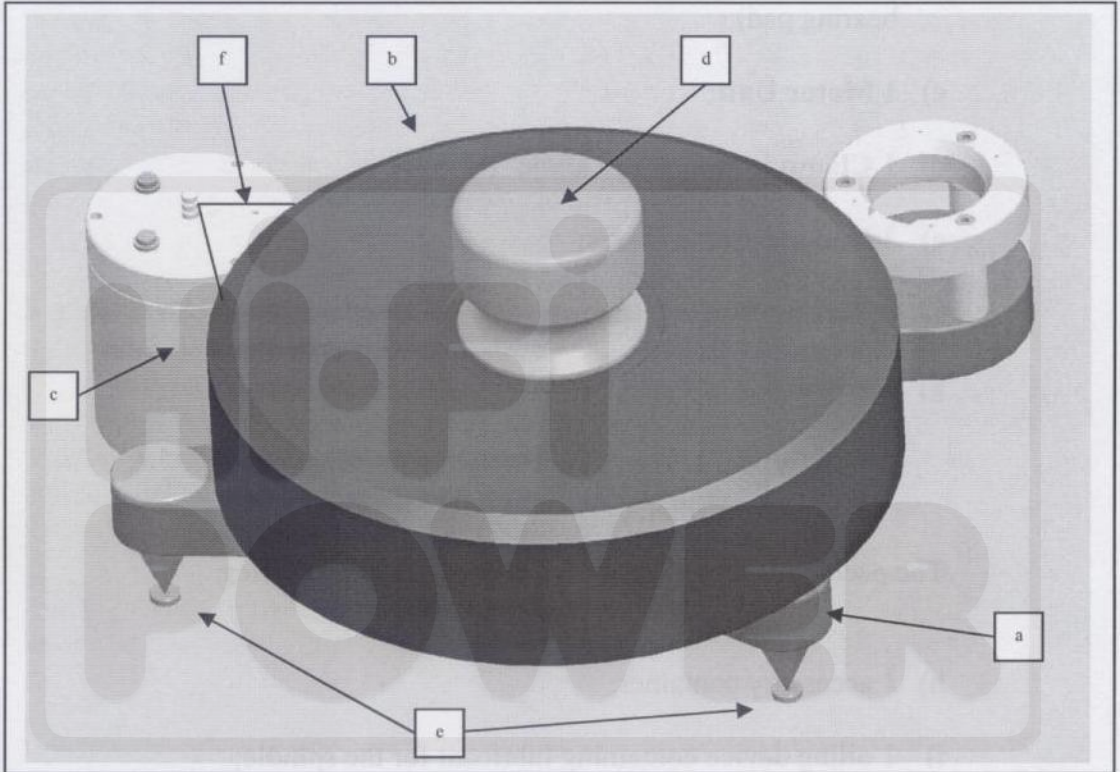
## 2. BACKAGING COMPONENTS

The procedure is to contain the following parts that make up the facility:  
glove  
the letters refer to fig. 1)

a) 1 Base in work treatment stage (with 3 conical feet, two of which are adjustable).

Figure 1: Equipment components.

b) 1 Facetable in composite material (with bearing and each foot)



j) 1 level;

k) 1 4 mm Allen wrench;

l) 1 template (color flat position);

m) 1 pair of nitrile gloves;

n) 1 micro-fiber cloth for cleaning;

o) 1 brush for cleaning;

p) the handbook.

### 3. ASSEMBLY AND ADJUSTMENT

#### INTRODUCTION:

During any type of operation regarding assembly, disassembly or adjustment of this product, it is most important to always wear the fabric gloves provided.

For safety reasons, it is reminded that the equipment should be assembled where it is going to remain, because subsequent moving requires the disassembly and reassembly of the components, due to the heavy weight.

Furthermore, the surface where it will be installed is to be designed to bear weights of **at least 110 lbs/50 kg**, (for example, tables specifically designed for use with Hi-Fi components).



- The **Base (a)** is to be handled gripping it firmly by the stone section, and never by the metal parts to move them.

Items that are not supplied, such as the tone arm and the pick-up, even if mentioned in the description of the assembly operations, are not shown in the figures.

See the indications in the instruction handbooks of the related manufacturers.



**WARNING:** The use of the **Clamp (d)** supplied, because of the special methods applied when designing, makes it indispensable for the correct scanning of the vinyl disk grooves and to avoid irregular wear on the cantilever and the pick-up tip.

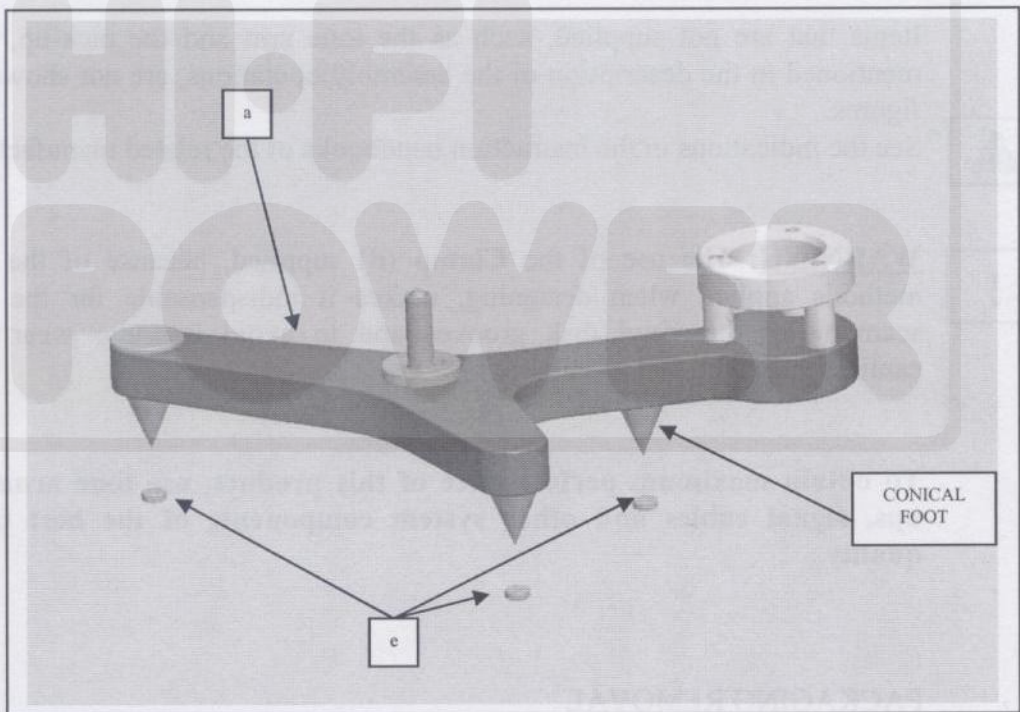
**To obtain maximum performance of this product, use tone arms, pick-ups, signal cables and other system components of the best possible quality.**

#### PACKAGING REMOVAL

- a) Remove each separate component and place it on a flat surface near the installation point;
- b) The packaging, with all its items is to be kept for any future movement of the equipment.

## LIST OF ASSEMBLY AND ADJUSTMENT OPERATIONS:

- a) Place the 3 **Under-Spindle Plates (e)** with the flaring facing upward on the surface that will sustain the equipment.
- b) Gently rest the **Base (a)**, on the resting surface taking care not to knock it, as this could damage the base or the **Conical Feet** and related threaded supports.
- c) One by one, fit the 3 **Under-Spindle Plates (e)** taking care that the small flare on them coincides with the **Conical Feet** under the **Base (a)**.



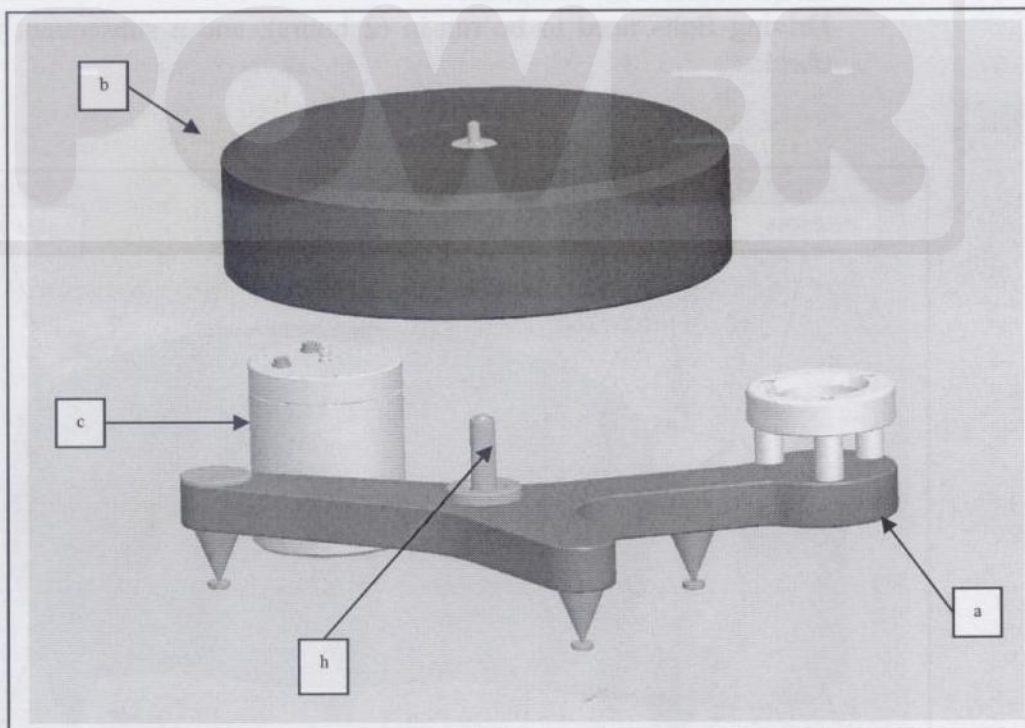
- d) Lubricate the metal **Spindle (h)** on the **Base (a)**, with a few drops of oil, using the syringe supplied.  
Lubricate the hardened ball and make 4 vertical stripes of lubricant at 90° to each other on the cylindrical section of the **Spindle**.  
This favours the outflow of the air that forms inside the bushing when inserting it on the spindle.



**WARNING:** Do not exaggerate with the quantity of oil, and take utmost care when lubricating to avoid soiling the parts in stone. Do not lubricate the brass **Bushing** keyed on the **Turntable**. If necessary use normal talcum powder to absorb any traces of oil on the stone parts.



- e) Gently fit the **Turntable (b)** on the **Spindle (h)**.  
During this operation, to facilitate the outflow of the air created between **Spindle** and **Bushing**, lower the **Turntable** into its seat, taking care not to rotate it.  
Do not force the lowering of the **Turntable** onto the **Spindle**. Wait a few minutes until it lowers by itself.
- f) Position the **Motor Unit (c)** at a distance of 1-2 cm from the **Turntable (b)**, taking care to direct it so that the **Socket** for the **Power Supply Cable** is at the rear.



- g) Level the Record Player with the level supplied.  
To adjust, turn the 2 **Adjustment Cones** at the front and left side under the **Base (a)**.

To carry out this operation, take into consideration that in order to enhance performance when scanning the vinyl disks, Thesis Audio has designed this equipment with a concave facing of the **Turntable (b)** upper surface to improve the contact with the vinyl disk during the scanning.

As a consequence to eliminate this very slight difference in parallelism with the arm **Rest**, during the design stage it was decided to perfect only the parallelism between the arm seat and scanning arc described by the pick-up.

This also attains the target of balancing the force of attraction produced by the belts/motor assembly.

!

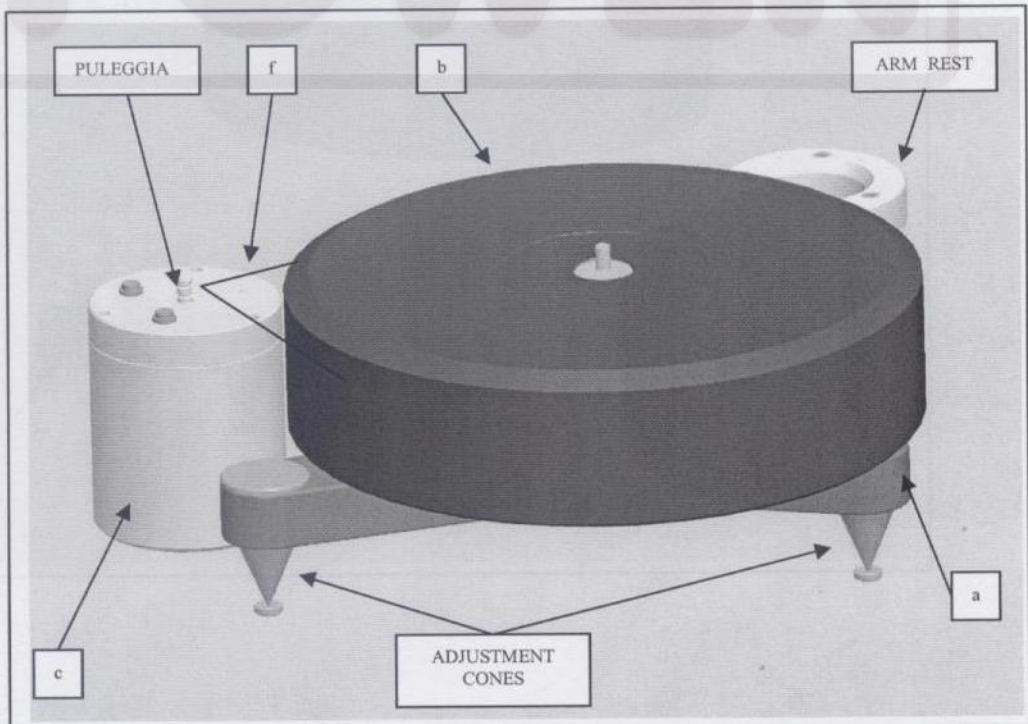
**WARNING:** The inspection and subsequent periodical checks on planarity are to be carried out only on the aluminium alloy **Rest** of the arm or on the tone arc described on the **Turntable** by the pick-up.

- h) Fit the **Belt (f)** passing it first around the **Turntable (b)** then on the **Pulley** of the **Motor Unit (c)**.

!

**WARNING:** For the correct Driving Belt tension, see the two marks on the Motor Unit Template.

Driving Belts need to be run-in (2 hours), and a subsequent tension check.



- i) Fit the tone arm (not supplied) on the aluminium alloy **Rest** on the **Base (a)**.

If necessary remove the arm **Rest** taking out the 3 Allen screws with the wrench supplied (4 mm). After the operation, refit it in position.

Fit the pick-up (not supplied) on the tone arm.

Adjust the correct position of the pick-up and its height in relation to the groove of the vinyl disk.

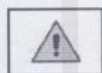
Adjust the correct scanning weight of the pick-up anti-skating device.

Connect the signal cables (not supplied) of the tone arm to the PHONO inputs of the pre-amplifier or the integrated amplifier.



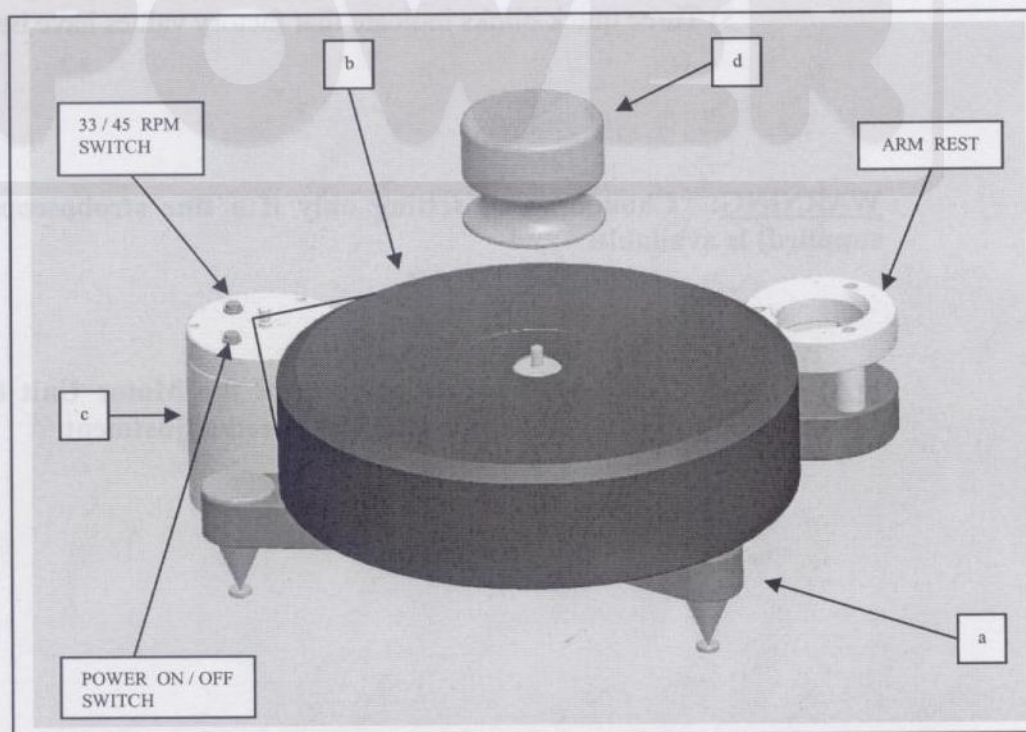
**WARNING:** For all the operations listed in step (j), see the relevant manufacturers instruction handbooks for the tone arm, pick-up, pre-amplifier or integrated amplifier used, and generally for the components that interface with this product.

- j) Connect the **Power Supply Cable** to the socket on the **Motor Unit** and then to the mains socket.



**WARNING:** Use Thesis Audio Power Supply only.

- k) Place the vinyl disk on the **Turntable (b)** and then place the aluminium alloy **Clamp (d)** on the disk;
- l) Start the motor and select the speed (33 /45 rpm) by the **ON/OFF** and **33/45** buttons on the **Motor Unit (C)**.



## SPEED ADJUSTMENT

This equipment has an electronic fine speed adjustment.

To set the turntable speed, follow this list of operations:

- a) Start the Motor Unit by the **ON/OFF** button, and to change the speed select the **33/45** button.  
Changes made for the 33 rpm do not affect the 45 rpm, and vice versa.
- b) Press the **ON/OFF** button for more than 5 seconds.  
Led blinks.
- c) Press the **33/45** button to increase speed.  
Press the **ON/OFF** button to decrease speed.
- d) Press both the **ON/OFF** and the **33/45** buttons for 2 seconds.  
The new speed value is now set.
- e) To return to Thesis Audio original settings:
  - 1) Disconnect the Power Supply from the mains;
  - 2) Press both the **ON/OFF** and the **33/45** buttons for 2 seconds and connect the Power Supply.
  - 3) Three quick blinks indicate that factory values have been set.

**WARNING:** Change speed setting only if a fine stroboscope (not supplied) is available.

**WARNING:** Check the correct position of the Motor Unit by the Template (supplied), before operating the speed adjustment.

#### 4. CLEANING AND PRESERVATION

For cleaning and preservation, limit the operations exclusively to the instructions below.

- a) Before starting any cleaning/adjustment operation put on the fabric gloves supplied.
- b) Periodically check the levelling of the system using the level supplied, and adjusting through the adjustment cones under the Lower Base.
- c) Periodically check the Belt tension by the template.
- d) Use only the brush supplied to clean the stone parts.
- e) Use only the micro-fibre cloth supplied to clean metal parts and the Turntable.  
If necessary, the micro-fibre cloth can be washed in cold water, using neutral soap, making sure it is completely dry before re-using.
- f) If it should be necessary to transport the equipment (e.g. moving house, despatch to service centre, change of ownership, etc.), dismantle the equipment and pack it in its original packing; leave a very thin film of oil on the Spindle and inside the Bushing and protect them with absorbent paper.
- g) Before reassembling the Turntable on the Spindle (see steps e / f in the ASSEMBLY AND ADJUSTMENT section of this handbook), carefully clean the Spindle and Bushing with a dry cloth or absorbent paper and check there is no dust or dirt on the surfaces.
- h) Approximately every 12 months or after a period of intensive use of the equipment, remove the Turntable from its seat and thoroughly clean the Spindle and the Bushing, with a dry cloth or absorbent paper, and check there is no dust or dirt on the surfaces.  
Lubricate, using exclusively the oil supplied, before reassembling.

## **5. TROUBLE-SHOOTING**

If the suggestions given do not solve the problem, or if the problem found is not contained in the list below, contact your Dealership or Thesis Audio.

### **a) After starting the Motor, the Turntable doesn't turn.**

Check that the Power Supply and its Cable are correctly inserted in the mains socket and in the Motor Unit Socket.

Remove the Power Supply from the mains socket and check the Cable is not damaged.

Check the Belt is mounted correctly and has the correct tension.

### **b) The Turntable does not turn at a constant speed.**

Check that the Belt is correctly tensioned.

Check that the Belt and the Pulley are not fouled with oil, and that they are perfectly clean.

Check that the Motor Unit does not contact the Turntable.

Check that there is no item or cable interfering with the Turntable rotation.

Check the correct lubrication of the Spindle-Bushing assembly.

### **c) When playing vinyl disks there is a low frequency background noise coming from the speakers.**

Check that the signal cable from the arm to the pre-amplifier or integrated amplifier does not interfere with or cross over other cables of the system, and especially with the Power Supply and its Cable.

Check that the ground cable on the tone arm is correctly connected to the pre-amplifier or the integrated amplifier.

7. TECHNICAL DATA

Network voltage: 100-240 VAC

Network frequency: 50-60 Hz

Current draw 10W

Motor Unit Input 15VDC – 0.5A

Rotation speed: 33 1/3 – 45 rpm

Weight: 40 lbs (18 kg) – Standard Version  
66 lbs (30 kg) – Exclusive Version

Temperature / Humidity

Working: +59 / +86°F (+15 / +30°C)  
70% max

Storage: +41 / +104°F (+5 / +40°C)  
80% max

**hi-fi**  
*THESIS AUDIO*  
**POWER**

[www.thesisaudio.it](http://www.thesisaudio.it)

[info@thesisaudio.it](mailto:info@thesisaudio.it)