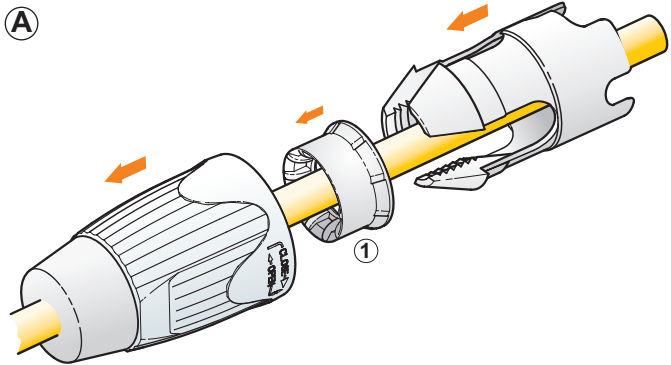




ASSEMBLY INSTRUCTION

speakON STX Series | Lockable Loudspeaker Connector 8 pole Cable Connector with metal housing



A Place bushing and chuck over the cable.

If cable O.D.:

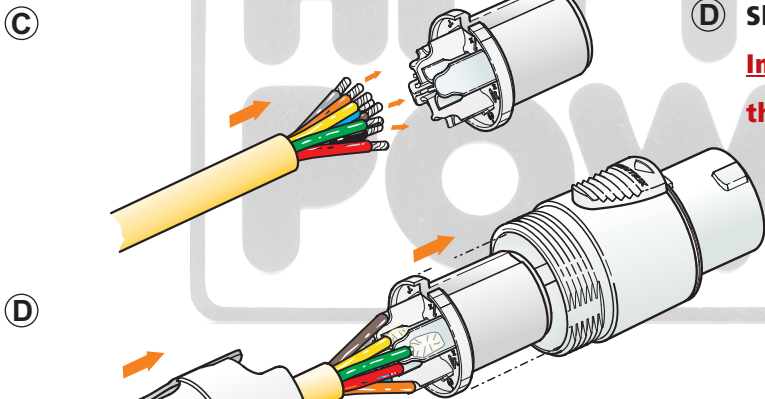
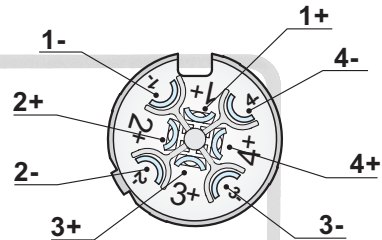
Less 16 mm please use reducing piece (①).

B Prepare cable as shown.

C Solder the wire ends to contacts of insert.

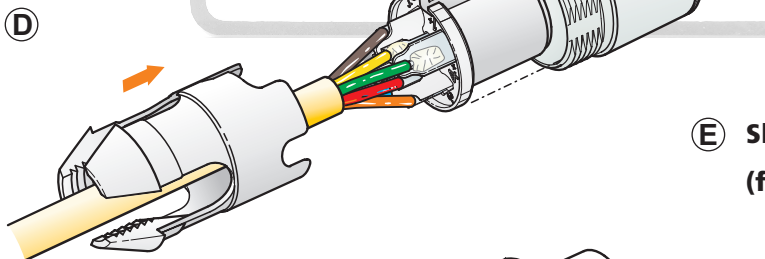


Wiring:

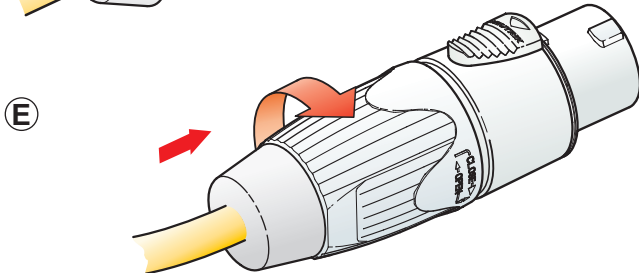


D Slide insert and chuck into housing.

Important: Align the chuck by positioning the nose into keyway.



E Slide the bushing up the cable and tighten it (flat wrench SW 27 mm).



NEUTRIK AG
NEUTRIK Zürich AG
NEUTRIK USA Inc.
NEUTRIK (UK) Ltd.

LI T: +423 / 237 24 24 F: +423 / 232 53 93
CH T: +41 44 / 736 5010 F: +41 44 / 736 5011
USA T: +1 732 / 901 9488 F: +1 732 / 901 9608
UK T: +44 1983 / 811 441 F: +44 1983 / 811 439

NEUTRIK Vertriebs GmbH DE/NL/AT T: +49 8131 / 280 890 F: +49 8131 / 280 830
NEUTRIK France FR T: +33 1 / 4131 6750 F: +33 1 / 4131 0511
NEUTRIK Tokyo Ltd. JP T: +81 3 / 3663 4733 F: +81 3 / 3663 4796
NEUTRIK Hong Kong Ltd. HK T: +852 / 2687 6055 F: +852 / 2687 6052

Draft. Nr.: BDA 148 / 3102M1401 | Update: 29.09.2009 | Data subject to change without prior notice. ©2009 NEUTRIK®. ALL RIGHTS RESERVED.



www.neutrik.com
HOME &
PROFESSIONAL
AUDIOVISUAL



• MAPNH 8 AΘHNA 10433 • THΛ. 210 3845676 – 210 3845272 FAX. 210 3809747 • e-mail: sales@hifipower.gr •