

**PIEGA**  
SWITZERLAND

## PIEGA AP 1.2



Universally deployable compact loudspeaker.



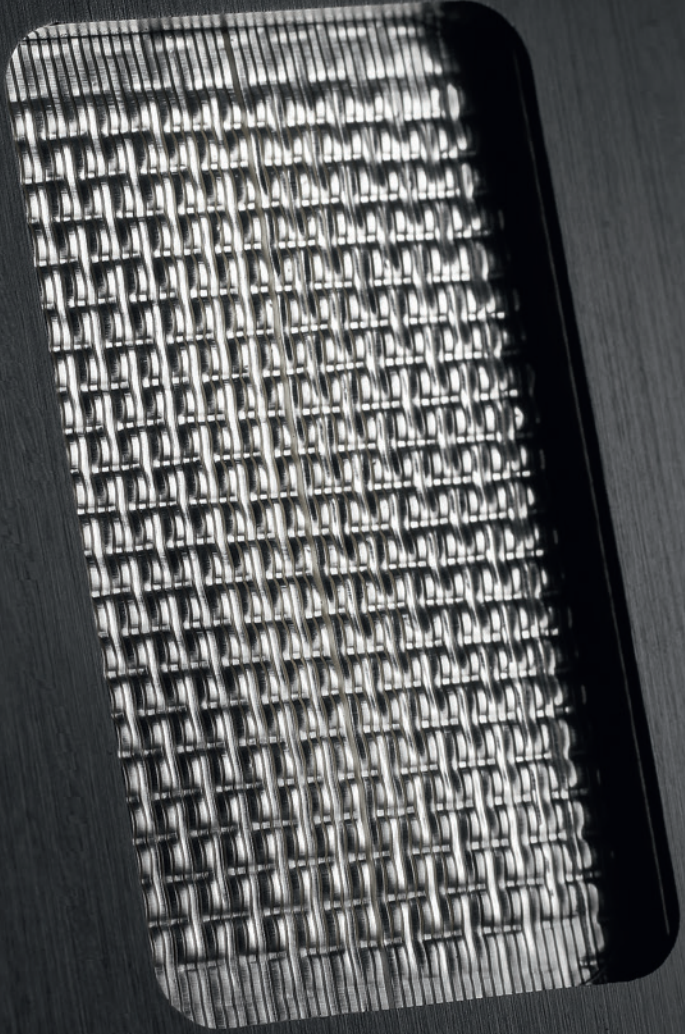
## PIEGA Compact Loudspeaker AP 1.2

The oblique – in the truest sense of the word – styling makes the Compact Loudspeaker AP 1.2 not just the ideal sidekick for any flat-screen television, it also offers the advantage of preventing any disruptive waves from being able to arise within the cabinet. The 130 mm bass and mid-range speaker features PIEGA's exclusive MDS technology, which makes it possible for the membrane to exert a particularly substantial throw and a consistently linear motion.

The ribbon tweeter LDR 2642 MKII is set apart by a particularly clear and extremely detailed sound, a vitality never witnessed before even at low volume levels and a very impulse-rich and clearly reproduced high-frequency range. The extremely lightweight membrane, measuring 26 x 42 mm and composed of wafer-thin aluminium foil, is approximately 30 times lighter than the lightest commercially available dome tweeters. Two flat coils secured to the membrane, a neodymium magnet and magnetic bars integrated in the

front panel and acting as magnetic lenses serve to drive the system. They bundle the magnetic field lines together, so that the tweeter achieves an efficiency of more than 100 dB.

Thanks to the flexibly adjustable wall bracket that comes with the system, installation of the AP 1.2 is extremely versatile. Whether as a stereo loudspeaker, a centre speaker or for rear surround channels, whether vertical or horizontal, whether in operation alone or in conjunction with an active subwoofer – whatever be the configuration, a resonant stereo or home theatre experience is guaranteed.



PIEGA  
SWITZERLAND  
LDR 2642 MK II

## Technical Data

<b>Model</b>	<b>AP 1.2</b>
<b>Design principle</b>	2-way-system
<b>Recommended amplifier output</b>	20 – 150 Watt
<b>Sensitivity</b>	89 dB/W/m
<b>Impedance</b>	4 ohms
<b>Frequency range</b>	50 Hz – 50 kHz
<b>Bass and mid-range speaker</b>	1 x 130 mm MDS
<b>Tweeter</b>	1 x LDR 2642 MKII ribbon
<b>Dimensions (H x W x D)</b>	28 x 19 x 14 cm
<b>Weight</b>	5 kg

### Design variants

Cabinet in polished aluminium,  
loudspeaker cover in silver fabric

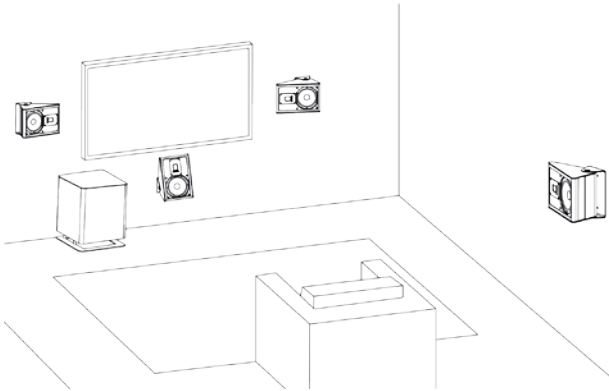
Cabinet in black anodised aluminium,  
loudspeaker cover in black fabric

Cabinet in white lacquer finish,  
loudspeaker cover in white fabric



# Example applications

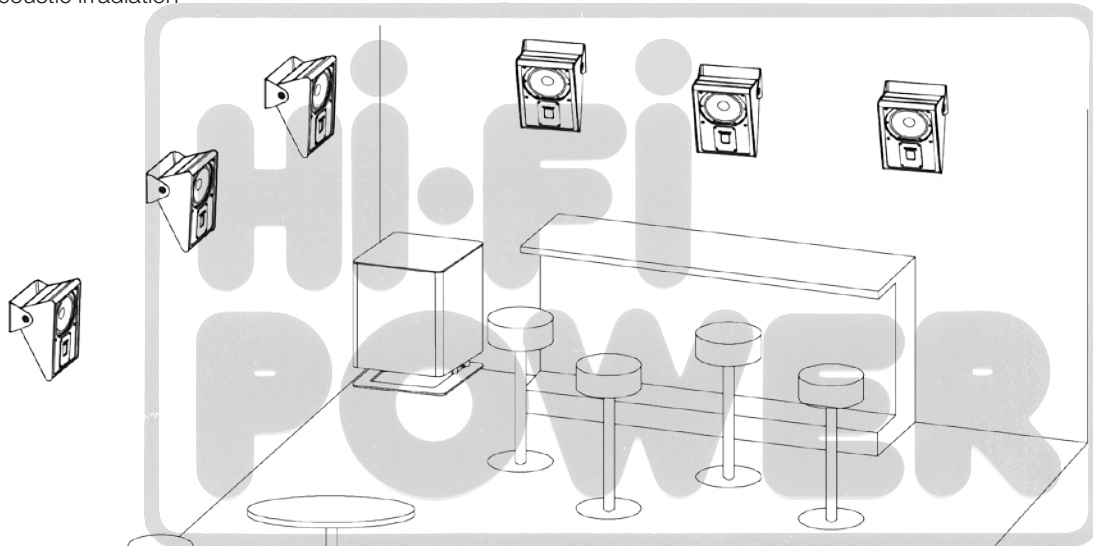
Multi-channel system



Stereo application

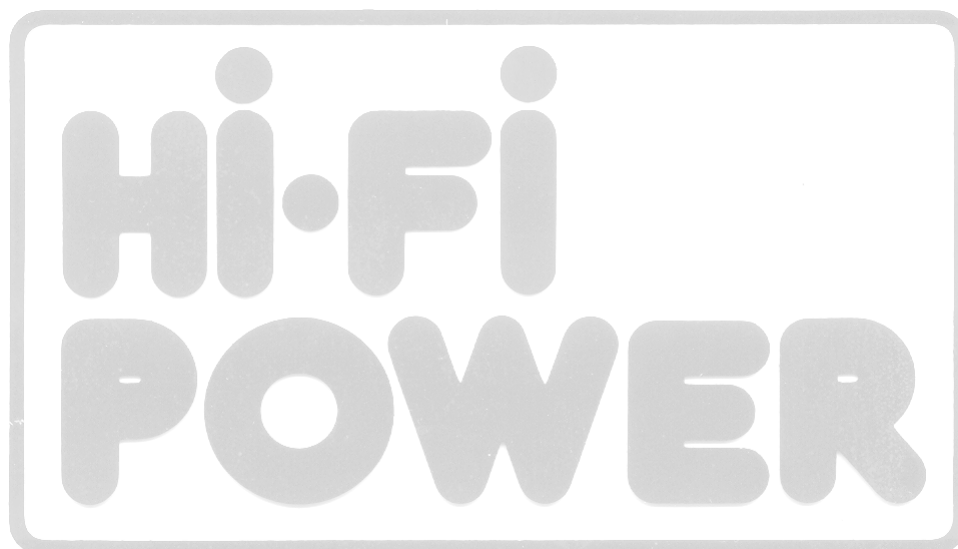


Acoustic irradiation



## Service

PIEGA offers first-class service and a six-year warranty on all loudspeakers, as well as a three-year warranty on electronics.



PIEGA SA  
Bahnhofstrasse 29  
CH-8810 Horgen  
Telephone +41 44 725 90 42  
Fax +41 44 725 91 92  
mail@piega.ch  
www.piega.ch

Export information  
Telephone +41 44 725 90 02

Published November 2015  
Subject to modification, especially  
technical modification. Errors excepted.



HOME &  
PROFESSIONAL  
AUDIOVISUAL

• MAPNH 8 ΑΘΗΝΑ 10433 • ΤΗΛ. 210 3845676 – 210 3845272 FAX. 210 3809747 • e-mail: sales@hifipower.gr •