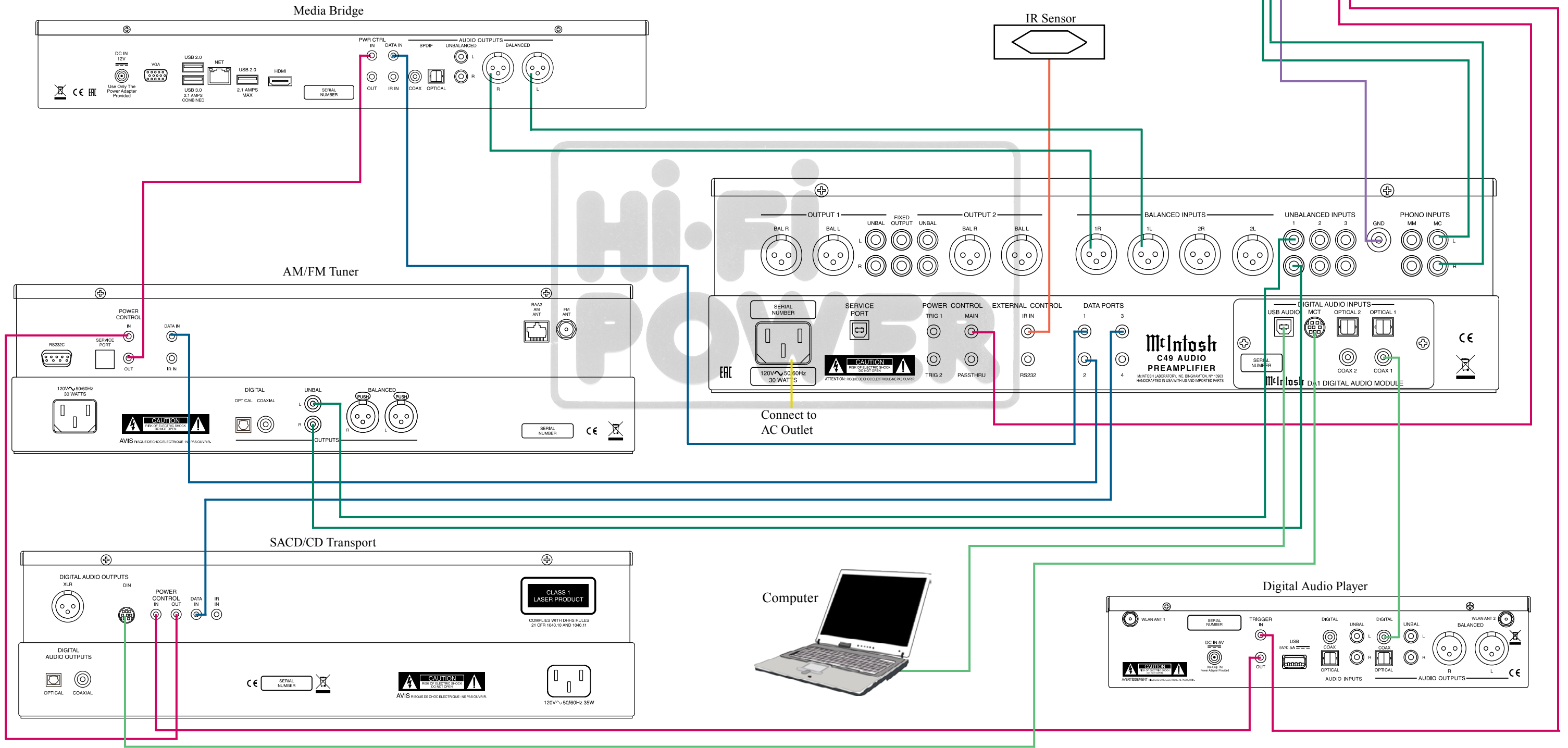
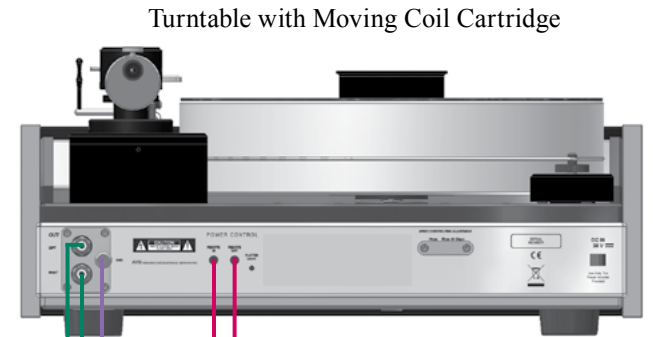


Note: Refer to the C49 Owner's Manual page 7 for additional connection information.

Connection Legend:

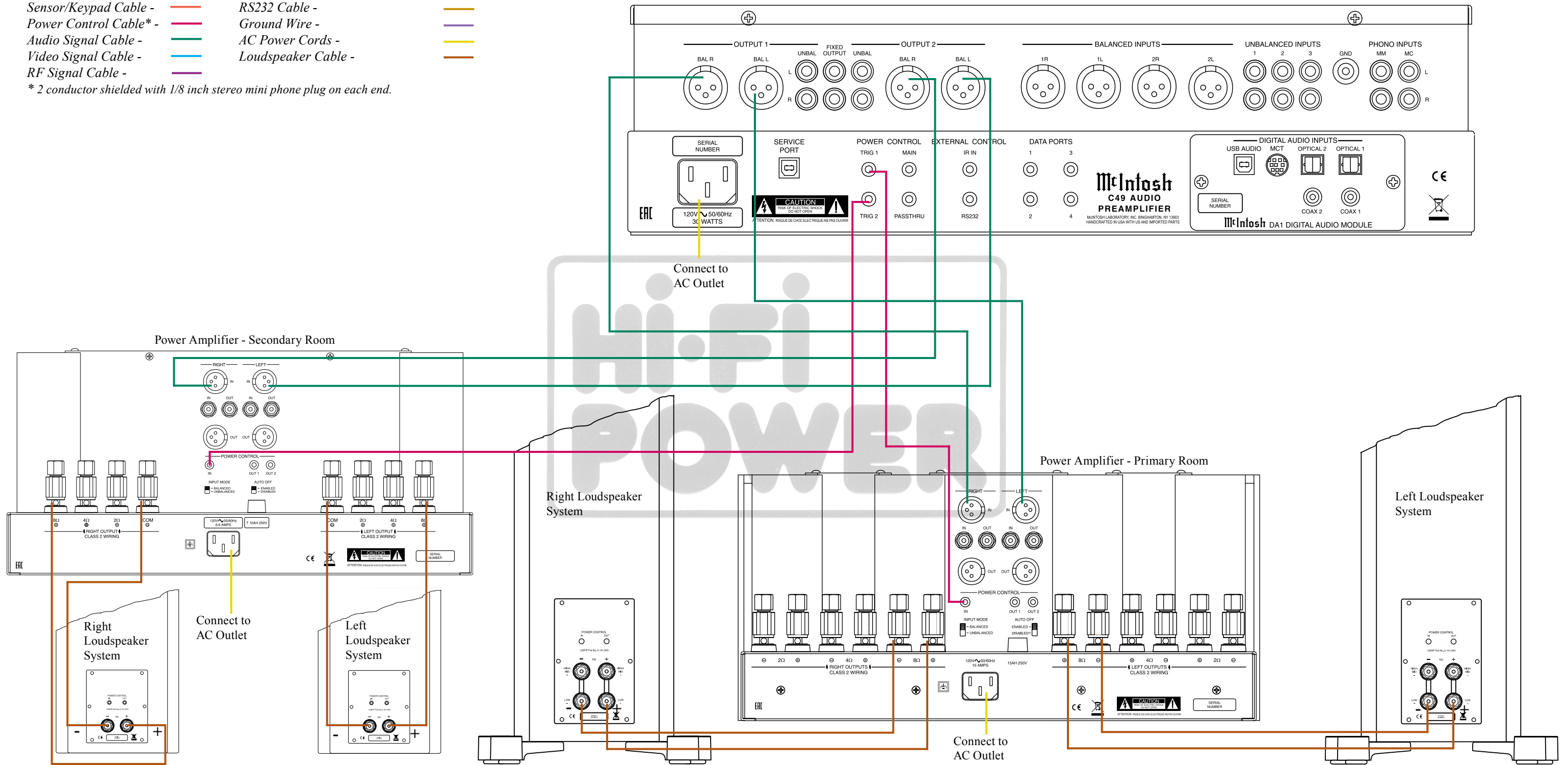
- Data Cable* - — Digital Signal Cable - —
 - Sensor/Keypad Cable - — RS232 Cable - —
 - Power Control Cable* - — Ground Wire - —
 - Audio Signal Cable - — AC Power Cords - —
 - Video Signal Cable - — Loudspeaker Cable - —
 - RF Signal Cable - —
- * 2 conductor shielded with 1/8 inch stereo mini phone plug on each end.



Note: Refer to the C49 Owner's Manual page 8 for additional connection information.

Connection Legend:

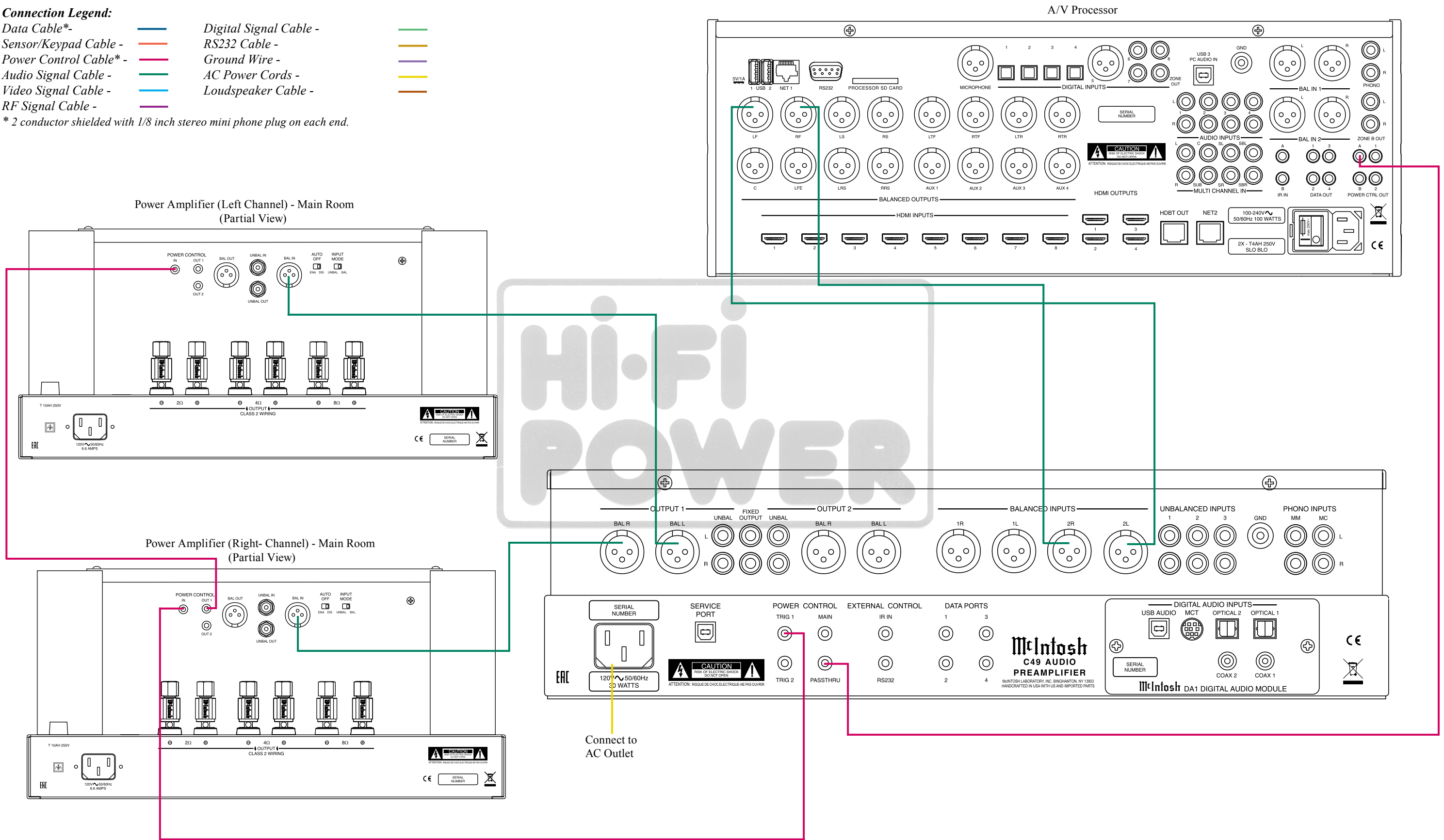
- Data Cable* - — Digital Signal Cable - —
 - Sensor/Keypad Cable - — RS232 Cable - —
 - Power Control Cable* - — Ground Wire - —
 - Audio Signal Cable - — AC Power Cords - —
 - Video Signal Cable - — Loudspeaker Cable - —
 - RF Signal Cable - —
- * 2 conductor shielded with 1/8 inch stereo mini phone plug on each end.



Note: Refer to the C47 Owner's Manual page 9 for additional connection information.

Connection Legend:

- Data Cable* - — Digital Signal Cable - —
 - Sensor/Keypad Cable - — RS232 Cable - —
 - Power Control Cable* - — Ground Wire - —
 - Audio Signal Cable - — AC Power Cords - —
 - Video Signal Cable - — Loudspeaker Cable - —
 - RF Signal Cable - —
- * 2 conductor shielded with 1/8 inch stereo mini phone plug on each end.



C49 Rear Panel Connections

OUTPUT 1 BALanced Left and Right send signals to Power Amplifier(s) and are switched On/Off with the Front Panel Output 1 Push-Button or Remote Control Push-Button

FIXED OUTPUT Left and Right (Record Out) send signals to the input of a recording device

OUTPUT 2 BALanced Left and Right send signals to Power Amplifier(s) and are switched On/Off with the Front Panel Output 2 Push-Button or Remote Control Push-Button

UNBALANCED INPUTS 1 thru 3 accept high level program source signals. (Top row of the six RCA Jacks are the Left Channel and bottom row of the six Jacks are the Right Channel)

GND terminal accepts a ground wire from a turntable

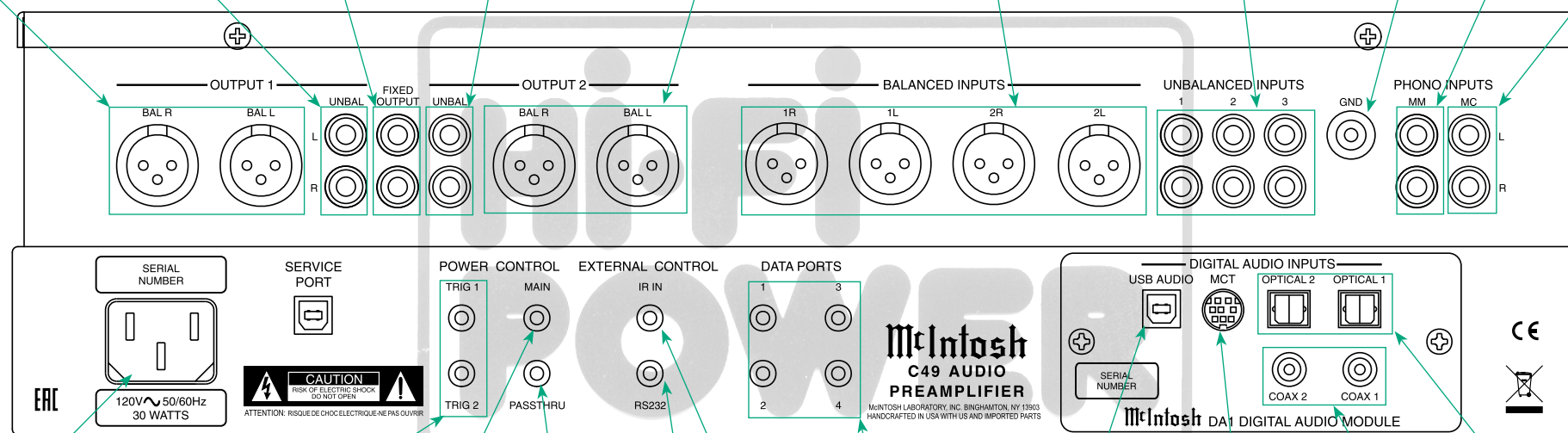
PHONO INPUT MC accepts the low level signals from a Moving Coil Phono Cartridge

OUTPUT 1 UNBALanced Left and Right send signals to Power Amplifier(s) and are switched On/Off with the Front Panel Output 1 Push-Button or Remote Control Push-Button

OUTPUT 2 UNBALanced Left and Right send signals to Power Amplifier(s) and are switched On/Off with the Front Panel Output 2 Push-Button or Remote Control Push-Button

BALANCED INPUTS Left and Right 1 and 2 accept high level program source signals

PHONO INPUT MM accepts signals from a Moving Magnet Phono Cartridge



Connect the C49 power cord to a live AC outlet. Refer to information on the back panel of your C49 to determine the correct voltage for your unit

POWER CONTROL TRIGger outputs 1 and 2 are assignable to send turn On/Off signals to components

POWER CONTROL MAIN Output sends turn On/Off signals to a McIntosh Component when the C49 is switched On/Off

PASSTHRU Power Control Input receives turn On/Off signals from an Audio/Video Control Center

RS232 connector for connection to a computer or other control device

IR Input for signals from a compatible IR Room Sensor

DATA PORTS are assignable to send signals to Source Components to allow control with the C49 Remote Control

USB DIGITAL AUDIO INPUT with control signal for connection to a computer

MCT DIGITAL AUDIO INPUT for streaming high bandwidth digital signals from SACD/CD Transport Components

COAXial DIGITAL AUDIO INPUTS for components with a Digital Coaxial Output sending a digital audio signal

DIGITAL AUDIO INPUTS OPTICAL 2 and OPTICAL 1 for components with a Digital Optical Output sending a digital audio signal