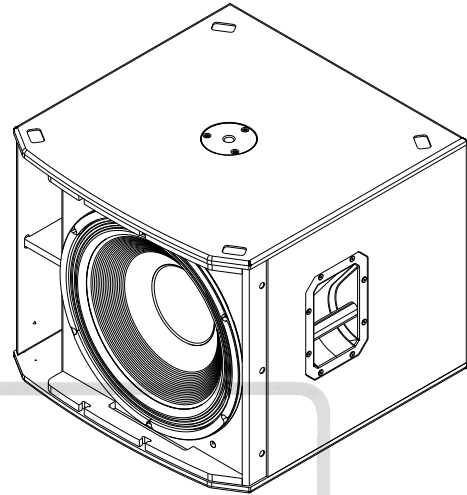


EKX-18SP Powered 18" Subwoofer

- Quick**Smart**DSP features best-in-class processing, EV's signature single-knob user interface, and intuitive menu navigation via LCD.
- Cardioid Control Technology allows output to be steered towards the audience with up to 35 dB reduction on stage when multiple subs are deployed.
- High-efficiency 1300 W Class-D power amplifier delivers up to 134 dB SPL utilizing high-sensitivity transducers designed and engineered by EV.
- Intelligent thermal management with a variable-speed fan controlled by multiple onboard sensors.
- Two XLR outputs for easy system expansion to additional loudspeakers or subwoofers. Large slot ports for low distortion and excellent bass extension. Two metal grille reinforcement bar. M20 threaded pole mount plate.



EKX-18SP features high-efficiency Class-D power amplifiers (up to 1300 W) with integrated Quick**Smart**DSP, and delivers up to 134 dB SPL utilizing high-sensitivity transducers designed and engineered by EV: 18-inch EVS-18C subwoofer. The EKX amplifier incorporates intelligent thermal management (with a variable-speed fan controlled by multiple onboard sensors) which ensures superior performance and reliability in demanding environmental conditions. Powered subwoofer models allow easy setup via three (3) presets (**Music, Live, Club**), sub/top system-match crossovers, five (5) user-programmable presets (**Store** and **Recall** settings), visual monitoring of limiter status, input level meters, and master volume control to ensure optimal gain structure. Adapted from our touring systems, EKX-18SP exclusive Cardioid Control Technology allows output to be steered towards the audience with up to 35 dB reduction on stage when multiple subs are deployed.

EKX powered models are ideal for portable and installed applications, with lightweight and compact 15-mm wood enclosures with internal bracing, durable EVCoat finish, aluminum pole-mounts, and all-metal handles.

Technical specifications

Frequency response (-3 dB):	40 Hz - 150 Hz ¹
Frequency range (-10 dB):	35 Hz - 180 Hz ¹
Maximum SPL:	134 dB peak ²
Power rating:	1300 W
LF transducer:	EVS-18C 457 mm (18 in)
Low pass frequency:	Adjustable: 80 Hz, 100 Hz, 120 Hz, 150 Hz
Connectors:	(2) XLR/TRS combo jacks and (2) XLR link outputs
Enclosure:	15 mm plywood with EVCoat
Grille:	18 AWG steel with powdercoat

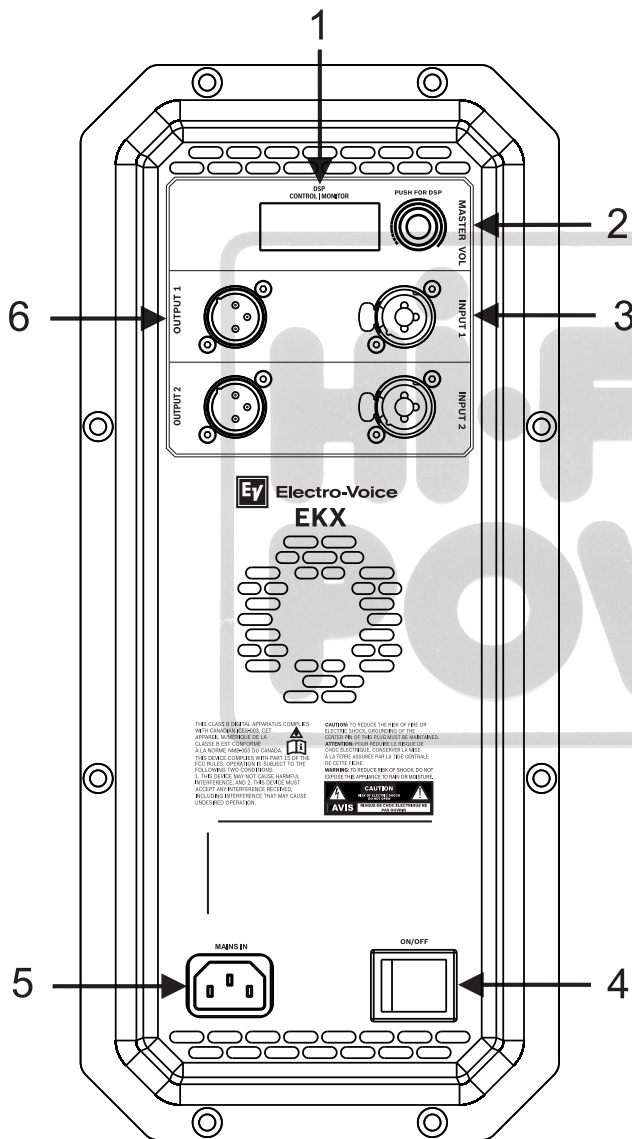
Dimensions (H x W x D):	520 mm x 606 mm x 612 mm (20 in x 24 in x 24 in)
Net weight:	32.8 kg (72.4 lb)
Shipping weight:	41.2 kg (90.9 lb)
Power consumption:	100 - 240 V-, 50 - 60 Hz, 1.8A ³

¹Half-space measurement.

²Maximum SPL is measured at 1 m using broadband pink noise at maximum output.

³Current rating is 1/8 power.

Subwoofer amplifier panel:

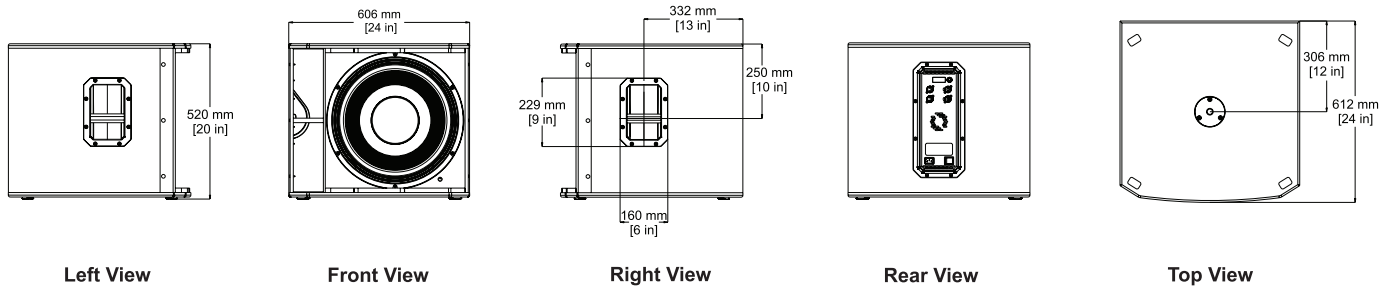


- INPUT** - Balanced input for the connection of signal sources like mixing consoles, instruments, or microphones. Connections can be established using ¼ inch TRS or XLR connectors.
- POWER** - AC switch or switching the power ON or OFF. The LCD screen lights up when the power is turned ON, after approximately 3 seconds.
- MAINS IN** - AC connection is established via an IEC-connector.
- OUTPUT** - XLR output sends the input signal to another loudspeaker or subwoofer. INPUT 1 is linked to OUTPUT 1 and INPUT 2 is linked to OUTPUT 2. The MASTER VOL or DSP control settings do not affect OUTPUT.

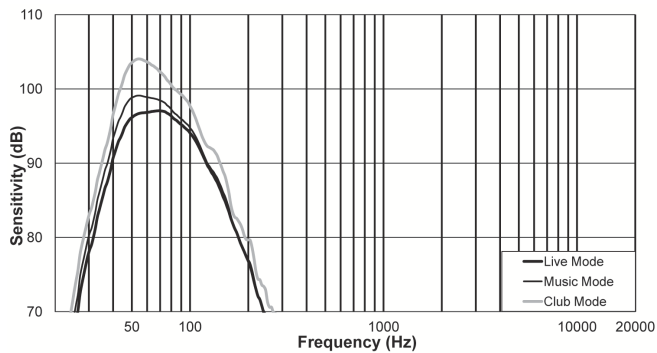
For more information, see EKX Powered Loudspeakers User Manual (F.01U.308.095).

- LCD** - DSP control and monitoring interface.
- MASTER VOL** - Adjusts the sound level.
DSP - Scroll through the menu and select the available choices. Push the MASTER VOL knob to enter the DSP menu.

Dimensions



Frequency response



Ordering information

EKX-18SP-US 18" powered subwoofer, US cord
 Powered 18-inch subwoofer US cord, black
 Order number **EKX-18SP-US | F.01U.303.389**

EKX-18SP-EU 18" powered subwoofer, EU cord
 Powered 18-inch subwoofer EU cord, black
 Order number **EKX-18SP-EU | F.01U.303.390**

EKX-18SP-AP 18" powered subwoofer AP
 Powered 18-inch subwoofer Asia-Pacific regions, black
 Order number **EKX-18SP-AP | F.01U.307.177**

Accessories

EKX-18S-CVR Padded cover for EKX-18S & SP, EV logo
 Padded cover for EKX-18S/18SP, EV logo, black
 Order number **EKX-18S-CVR | F.01U.303.394**

ASP-58 Adjustable subwoofer stand
 Adjustable steel speaker pole with powder coat, tapered
 M20 threaded, black
 Order number **ASP-58 | F.01U.317.892**

PCL35 Speaker pole, 35mm, M20 threaded
 Subwoofer pole, 35mm, M20, black
 Order number **PCL35 | F.01U.144.588 F.01U.353.592**

Represented by:

Germany:
 Bosch Sicherheitssysteme GmbH
 Robert-Bosch-Ring 5
 85630 Grasbrunn
 Germany
 www.electrovoice.com

Bosch Security Systems, LLC
 12000 Portland Avenue South
 Burnsville MN 55337
 USA